



Francisco Cardama, S.A.

SHIPYARD AND DRY DOCK

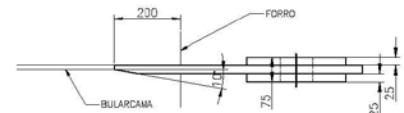
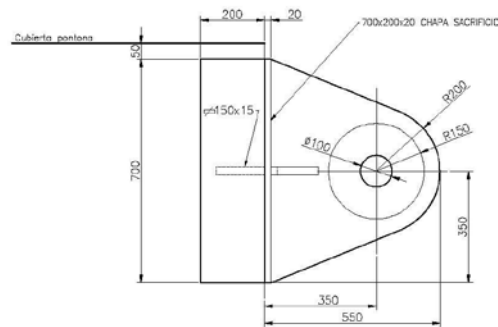
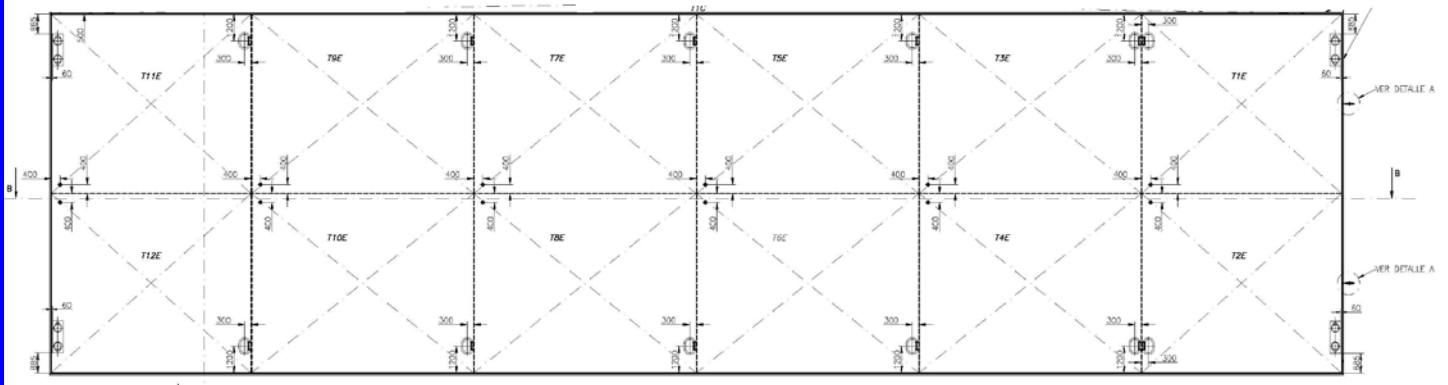
SHIPBUILDING
SHIP REPAIRING
NAVAL CARPENTRY
MECHANICAL
BOILER WORKING
PIPING

Av. Beiramar, 12 (Bouzas) – 36208 VIGO (SPAIN) – Tel. + 34 986 231 662 – Fax: + 34 986 234 051
http: www.astilleroscardama.com E-mail: info@astilleroscardama.com



Francisco Cardama, S.A.

SHIPYARD AND DRY DOCK



DETALLE A

Name of the Vessel:	SATO ESPARTEÑA
Shipowner:	SATO (GRUPO OHL)
Type of vessel:	Pontoon for auxiliary works
Construction:	C – 238
Delivery Date:	May 2010

MAIN PARTICULARS

Length overall: 58,00 m.
 Breadth: 16,00 m.
 Moulded Depth: 1,50 m.
 Moulded Draught: 1,00 m.

OTHER CHARACTERISTICS

- Steel hull.
- Steel weight: 290 Ton
- Hull scantling: Classified by GL.
- Structure divide din 12 tanks, 6 on the port side and 6 on starboard.
- 44 bolted aluminum anodes of 5,50 Kg each.
- 2 paint coating: bottoms, sides and deck.
- 1 paint coating: all interior surfaces.
- 4 double mooring bitt with nominal size 315.
- 12 built-in manholes on deck with vertical scales.
- 6 half built-in manholes on longitudinal bulkheads..
- 12 drain plugs fitted in tanks.
- 2 heavy lugs for towing.